

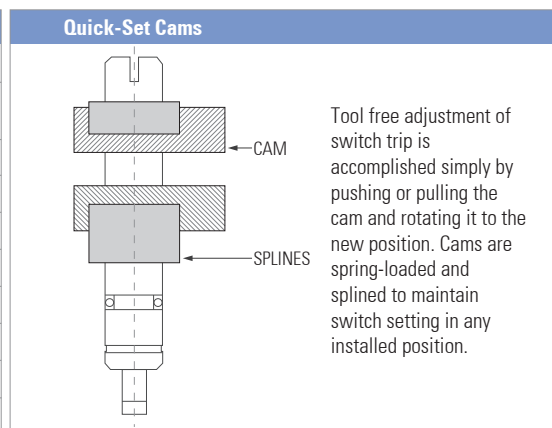
## Limit Switch *FC 400 Series*



### ► Integrated Characteristic

- Suitable for Rotary Quarter Turn Actuator.
- Extremely Vibration Resistance Design.
- Corrosion Resistance Aluminum Diecast and Powder Coated Body, Dome of Poly Carbonate with Yellow/Red On/Off Indicator.
- Honeywell / Omron / Cherry / P & F make Switches.
- Dual Cable Entries - ½" NPT and ¾" NPT for Easy Wiring.
- Dust Proof & Weather Proof IP 67 & IP 68 Enclosure/ Ex. proof. IIA, IIB, IIC.
- Captive Cover Bolts. No Worry to Loose Bolts While Cover Opens.
- *Optional Position Transmitter 4~20 mADc.*

| Type                     | Mechanical  | Proximity                                  |
|--------------------------|---|--|
| Switch Type              | Mechanical Switch x 2                                 | Proximity Sensor x 2                       |
| Switch Rating            | 250~3A AC, 125V~5A<br>DC:250V 0.2A, 125V 0.4A, 30V 4A | 8~24V DC<br>(Operating Voltage : 8~30V DC) |
| Switch Certification     |   |  |
| Enclosure Protection     | IP67/IP68 and Ex Proof IIA, IIB, IIC                  |  |
| Ambient Temperature      | -20°C to +80°C  |  |
| Conduit Entry            | ½" NPT, ¾" NPT, M20x1.5                               |  |
| Terminal Strip           | 6 Points, <i>8 Points Optional</i>                    |  |
| Mounting Bracket         | Namur VDI / VDE 3845, ISO 5211                        |  |
| Material of Construction | Aluminum Diecasting                                   |  |
| Weight                   | 1250gms.(2.77lb.) approx.                             |  |



► **FC 400 Series Coding**

|                                  |  |  |
|----------------------------------|--|--|
| <b>Shaft</b>                     | N  | Namur VDI/VDE 3845   |
|                                  | D  | Double "D" Shaft   |
| <b>Connections (Cable Entry)</b> | 1  | 2 x 1/2" NPT (Standard)  |
|                                  | 2  | 2 x 3/4" NPT   |
|                                  | 3  | 2 x M20 x 1.5  |
| <b>Indicator Option</b>          | 1  | Flat Cover Without Indicator                                   |
|                                  | 2  | Dome, Red/Yellow   |
| <b>No. of Switches</b>           | 0  | 0 Switch   |
|                                  | 1  | 1 Switch   |
|                                  | 2  | 2 Switches   |
|                                  | 4  | 4 Switches   |
| <b>Switch Options</b>            | M1   | SPDT Mechanical Switch 250VAC-5A Honeywell V15S05-CZ100 A05-01 |
|                                  | MG   | SPDT Mechanical Switch Gold Plated Cherry DB2                  |
|                                  | M3   | SPDT Mechanical Omron  |
|                                  | MB   | DPDT Mechanical, Honeywell BZ-2AW 822551-D6                    |
|                                  | N7   | NCN4-12GM35-NO, 8 VDC, NO                                      |
|                                  | N8   | NJ2-12-GM-N, 8 VDC, NC (EEx ia)                                |
|                                  | N8   | NJ2 - V3 - N, 8 VDC, 3mA, NC (EEx ia)                          |
|                                  | N9   | NJ4 - 12GM50-WO, 220VAc, 200mA 50Hz, 60Hz, NC                  |
|                                  | N10  | NJ5-18GM-N   |
|                                  | N11  | NBB3 - V3 - Z4, 10 - 60V DC, 100mA, NO                         |
|                                  | N12  | NBN4 - 12GM40-ZO, 24V, 100mA, NO                               |
|                                  | NR   | NCB2-12GM35-NO, 24V, 100mA, NO                                 |
|                                  | NP   | SJ3, 5-N Slot Type Namur NC (Hazardous)                        |
|                                  | NP1  | SJ3, 5-SN Slot Type Namur NC                                   |
| O                                | <i>Optional Please Specify Switch Type and Make.</i> |  |
| <b>Type Enclosure</b>            | 14   | General Purpose  |
|                                  | 18   | Weather Proof CMRI - IP67 and IP68 Enclosure                   |
|                                  | 19   | Ex. Proof - Ex d II BT6, IIA, IIB, IIC                         |
| <b>Analog Output</b>             | 0  | None   |
|                                  | T  | 4-20 mADc Transmitter  |
|                                  | D  | 180° 4-20 mADc Transmitter                                     |
|                                  | A  | 0-1k Ohm Pot   |
|                                  | B  | 0-5k Ohm Pot   |
| C                                | 0-10k Ohm Pot  |  |
| <b>Extra Terminals</b>           | 1  | No   |
|                                  | 2  | (Optional)   |
| <b>Bracket Type</b>              | 1  | FC-1 (30x80 x H20)   |
|                                  | 2  | FC-2 (30x80 x H30)   |
|                                  | 3  | FC-3 (30x130 x H30)  |
|                                  | 4  | FC-4 (30x130 x H50)  |
|                                  | 5  | FC-5 (93.5x41.5X H30)  |
|                                  | 6  | FC-6 (150x41.5X H30)   |

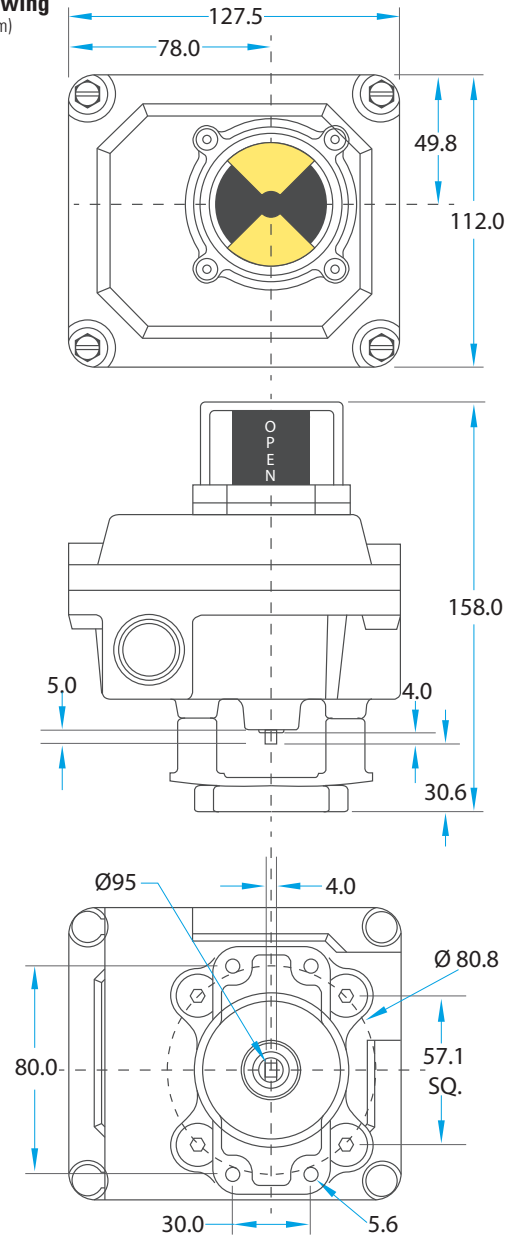
**Ordering Example** FC400-N-1-2-2-M1-18-T-1-1

**FC 400**

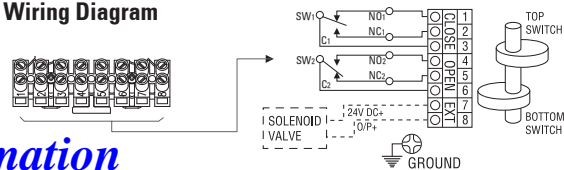
- N = Namur VDI/VDE 3845 Shaft
- 1 = 2 x 1/2" NPT (Standard) Cable Entry
- 2 = Dome, Red/Yellow Indicator
- 2 = 2 Switches 2NO + 2NC
- M1 = SPDT Mechanical Switch 250VAC-5A Honeywell V15S05-CZ100 A05-01
- 18 = Weather Proof CMRI - IP67 and IP68 Enclosure
- T = 4-20 mADc Transmitter
- 1 = No Extra Terminal
- 1 = FC-1 (30x80 x H20) Bracket

**Dimension Drawing**

(All Dimensions in mm)



**Wiring Diagram**



**Prisma Automation**

**ZI Les Paluds – Rue de Lenche, Lot n° 4  
13400 Aubagne - FRANCE**

**Tél. : +33 (0) 4 42 72 17 40**

**Fax : +33 (0) 4 42 72 17 41**

**<http://www.prismaautomation.com>**